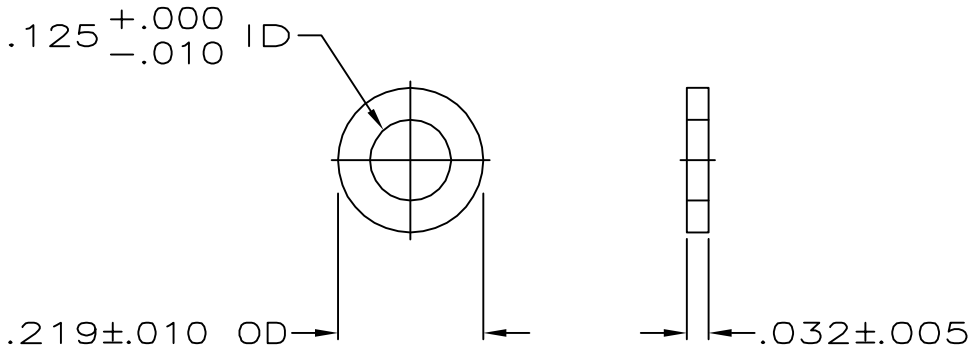


DRAWING MADE IN THIRD ANGLE PROJECTION

| LOC | DIST | REVISIONS | | | |
|-----|------|-----------|--------------------------|-----------|----------|
| P | F | LTR | DESCRIPTION | DATE | APPROVED |
| GP | 00 | | | | |
| | | BI | REVISE PER ECO-06-020811 | 16/OCT/06 | C. ROHDE |



- 1 ZINC PLATED PER ASTM B633, TYPE II, CLASS SC1, (.000197-.000400), YELLOW CHROMATE.
- 2 ZINC PLATED PER ASTM B633, TYPE II, CLASS SC1, (.000197-.000400), CLEAR CHROMATE.

THIS DRAWING IS UNPUBLISHED. © COPYRIGHT 19
 RELEASED FOR PUBLICATION BY AMP INCORPORATED. ALL INTERNATIONAL RIGHTS RESERVED.

| | | |
|----------|--------|----------|
| OBSOLETE | 2 | 205820-3 |
| | 1 | 205820-2 |
| | FINISH | PART NO |

| | | |
|--|---------------------------|---|
| DO NOT SCALE PRINT. UNLESS SPECIFIED DIMENSIONS IN INCHES TOLERANCES ON: 2 PLC DEC ± - 3 PLC DEC ± - ANGLES ± - | DR 6-6-88 C.RICHARD | AMP INCORPORATED Harrisburg, Pa. 17105 |
| | CHK 6-15-88 W.G.LENKER | |
| MATERIAL COLD ROLLED STEEL PER ASTM A108 | APPD 6-16-88 R.N.WHYNE | NAME WASHER, PLAIN, #4, AMPLIMITE® |
| FINISH SEE TABLE | APPD 6-17-90 V.KUMAR | SIZE A |
| | PRODUCT SPEC - | FSCM NO 00779 |
| | APPLICATION SPEC - | DRAWING NO 205820 |
| | WEIGHT - | SCALE 4:1 |
| | | SHEET 1 OF 1 |
| | | REV B1 |

AMP 1469-32 REV 3-87

Translated 061016.100100 (YYMMDD.HHMMSS) from
Computervision, Inc., Medusa Revision 12.2.5T

CUSTOMER DRAWING